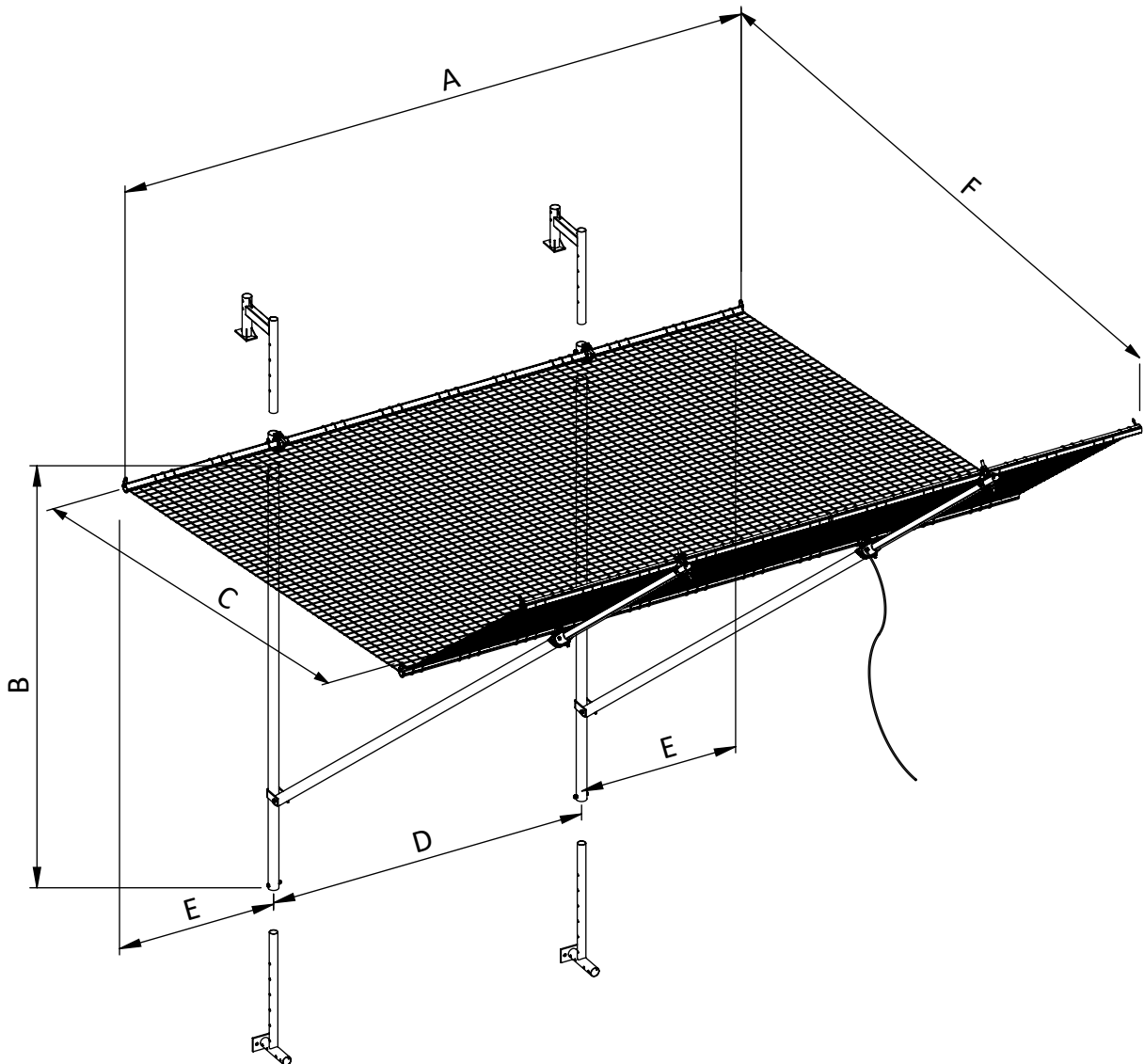


TD V111-00X (en)

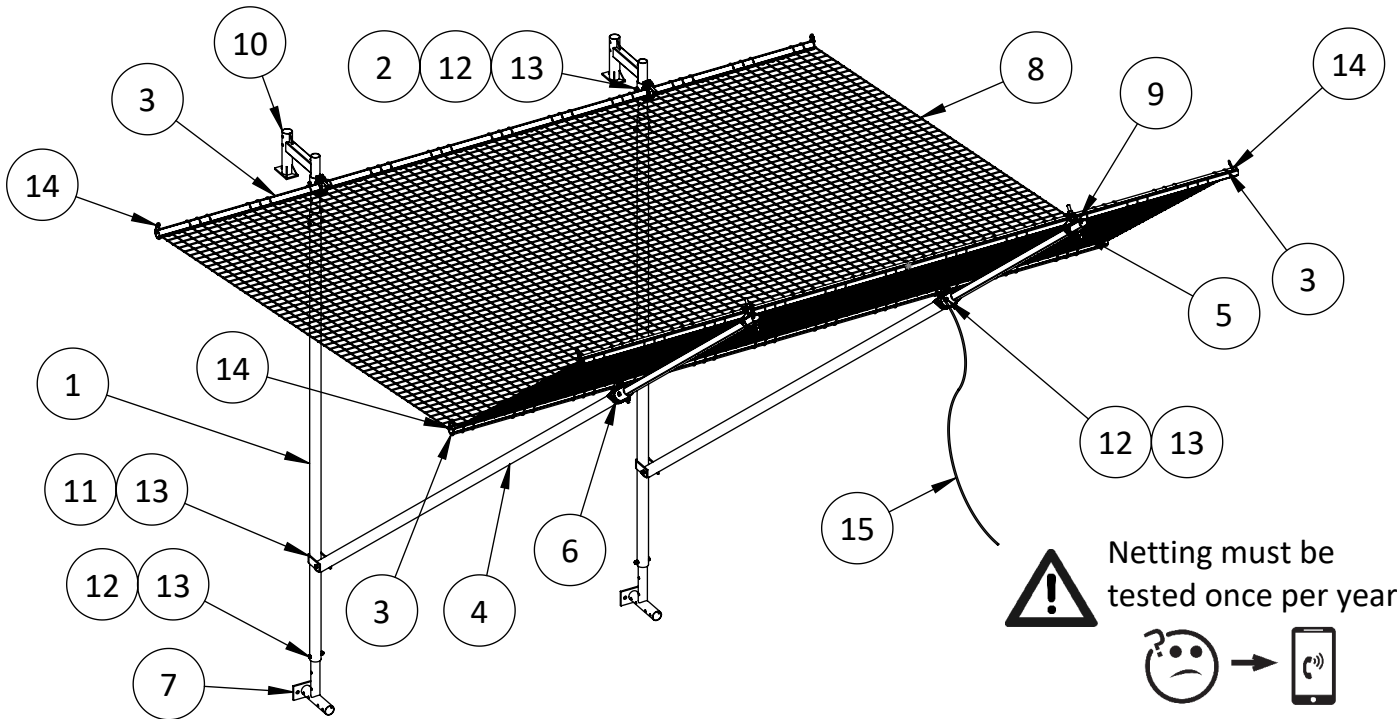
Part No.: V111-002 & V111-001
 Name: Catchfan Maxi 4m/6m
 Weight: See Table kg
 Standard: EN 1263-1
 Material: Galvanised Steel/Aluminium
 Dimensions: mm

This Technical Document must always be used in conjunction with **vertemax's General Qualifications** -See below

1. Always plan your work and installation
2. Always select the right equipment
3. Always regularly inspect your system



Name	Art No.	A	B	C	D	E	F	Weight [kg]
Maxi 4m	V111-002	4000	2740	3300	2000 ± 500	1000 ± 250	~ 4200	~115
Maxi 6m	V111-001	6000	2740	3300	4000 ± 500	1000 ± 250	~ 4200	~129



Netting must be tested once per year



+44 (0) 1227 711072

ITEM NO.	Part No	TITLE	QTY.	Weight (pcs)[kg]
1	V111-008	Catchfan Maxi Body 2.75m	2	16.5
2	V111-019	Catchfan Maxi - Adjustable Coupler	2	0.8
3	V114-001	4.00m Profiled Inner/Outer Tube (48mm Dia)	3	5.8
	OR			
	V1114-004	6.00m Profiled Inner/Outer Tube (48mm Dia)		8.7
4	V111-012	Catchfan Maxi Bracing Tube 4.25m	2	10
5	V113-024	Catchfan Rnd - Rnd Coupler (DF 48x48)	2	1.6
6	V111-020	Catchfan Maxi Coupler (DF 48mm x 60mm)	2	1.6
7	V111-010	Catchfan Maxi 0.80m Extension Leg	2	7
8	V111-005	Catchfan Maxi 4.00m Net	1	13
	OR			
	V111-004	Catchfan Maxi 6.00m Net		18.5
9		5.5 x 25mm x 16mm Washer Hex Head Self Drilling Screw	2	
10	V111-013	Catchfan Maxi Slab Attachment	2	4.7
11		M12 x 90mm Bolt - Stainless Steel	2	
12		M12 x 80 Bolt - Stainless Steel	8	
13		M12 Stainless Steel Nyloc Nut	10	
14	V133-082	Karabiner (6mm x 60mm)	6	
15	V114-055	7.5kN Polypropylene Rope (10mm x 220m)	1	0.2



* Only drop forged couplers made to EN 74 Class B should be used.

All fittings to be routinely examined. Further examinations to be undertaken after each project and following any severe weather conditions to ensure all equipment is in good condition and working order.

www.vertemax.com

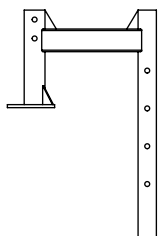
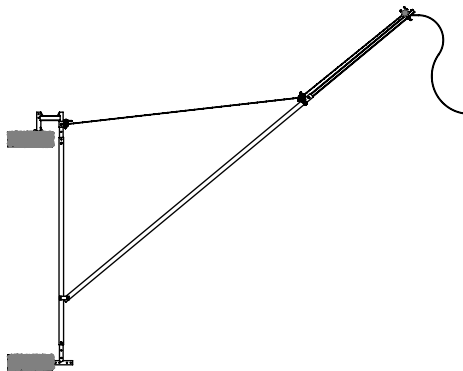
1. Configurations

Select attachment



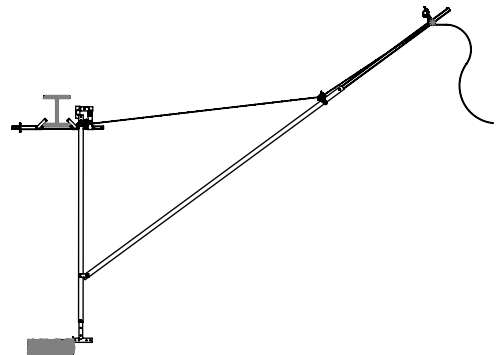
+44 (0) 1227 711072

Slab Attachment

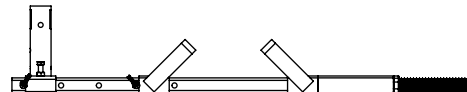


2 x V111-013
Catchfan Maxi Slab Attachment

Beam Attachment



4 x V123-014
VC Elbow



2 x V123-019
VC HD Flange Clamp

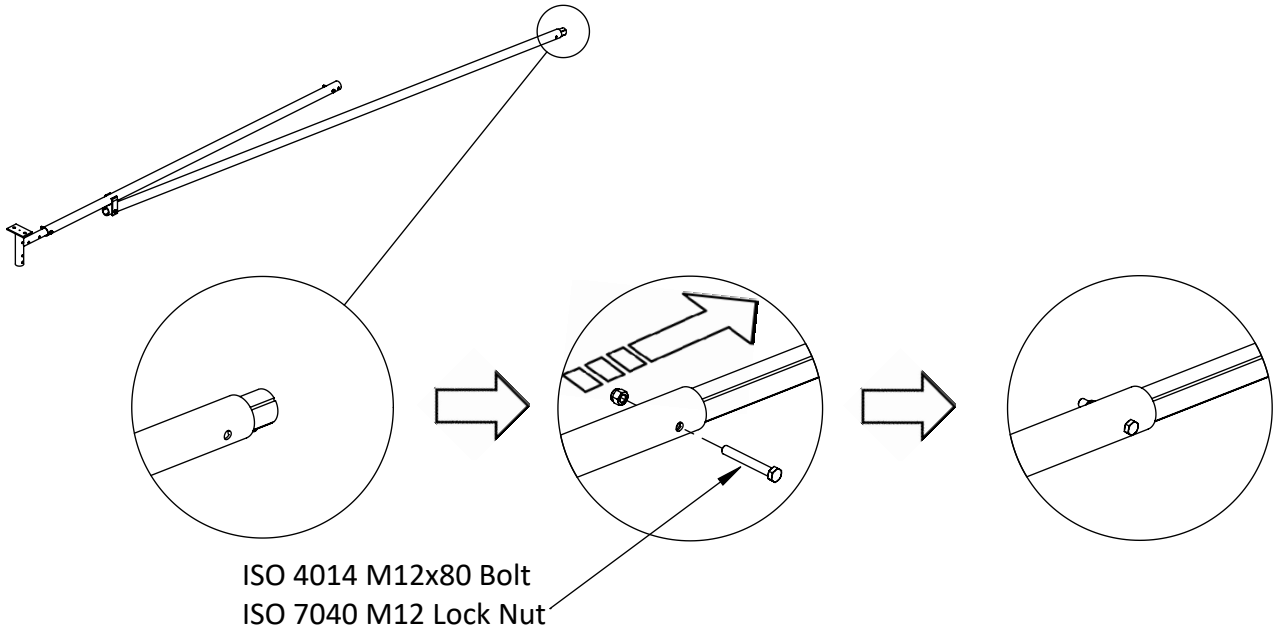


2 x V111-020
Catchfan Maxi Coupler (DF 48mm x 60mm)

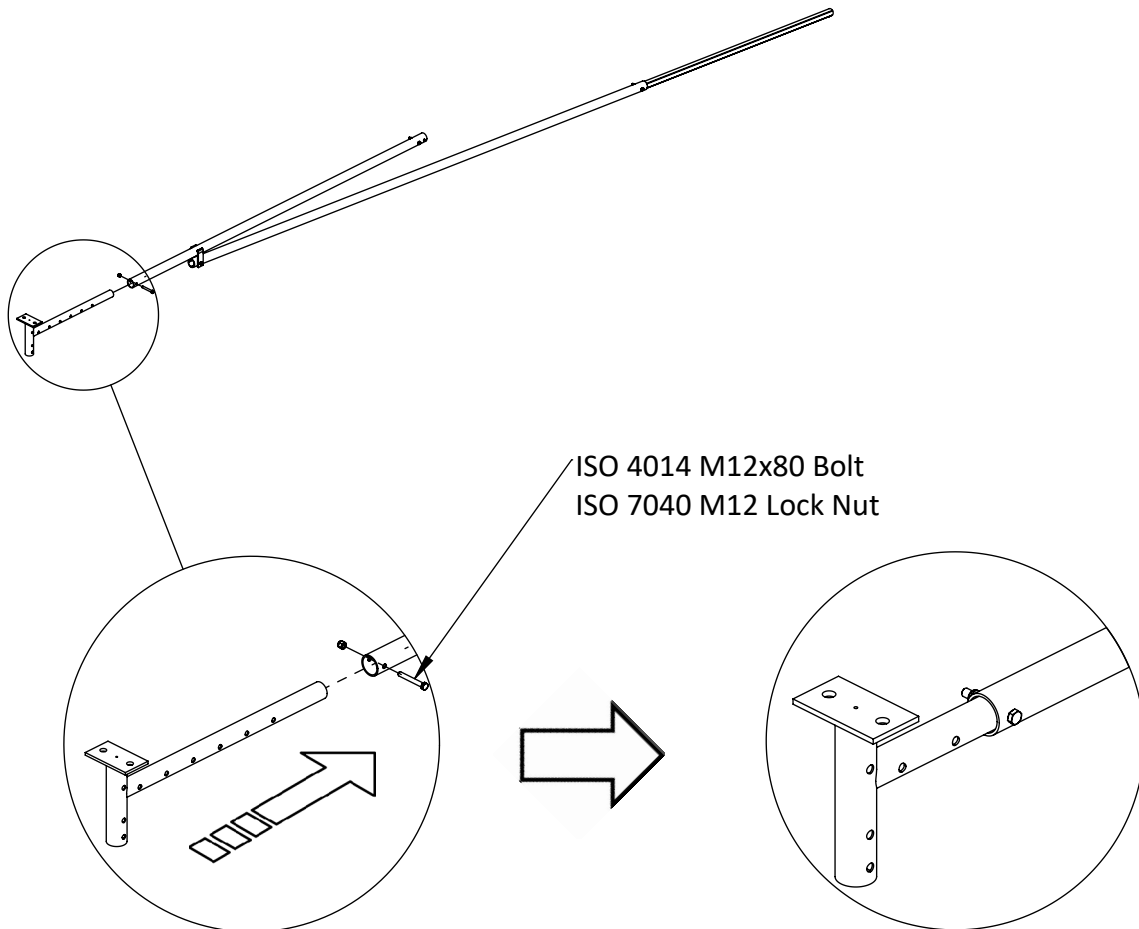
www.vertemax.com

2. General Assembly

2.1.



2.2



3. Attachment Assembly

3.1

ISO 4014 M12x80 Bolt
ISO 7040 M12 Lock Nut

701009
Catchfan Maxi Slab Attachment

5.5 x 25mm x 16mm Washer
Hex Head Self Drilling Screw

V111-019 - Catchfan Maxi Adjustable Coupler

V111-020 - Catchfanan Maxi Coupler (DF 48mm x 60mm)

3.2

! ENSURE BOLTS ARE FITTED

Bolts optional to allow movement if required

1775

50

! ENSURE BOLTS ARE FITTED

3.3



20 x 20 Mesh

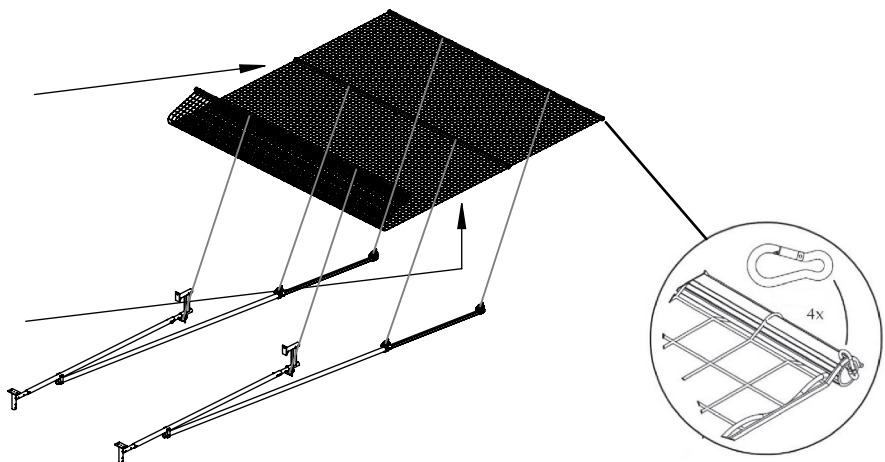


60 x 60 Mesh



Above

Below

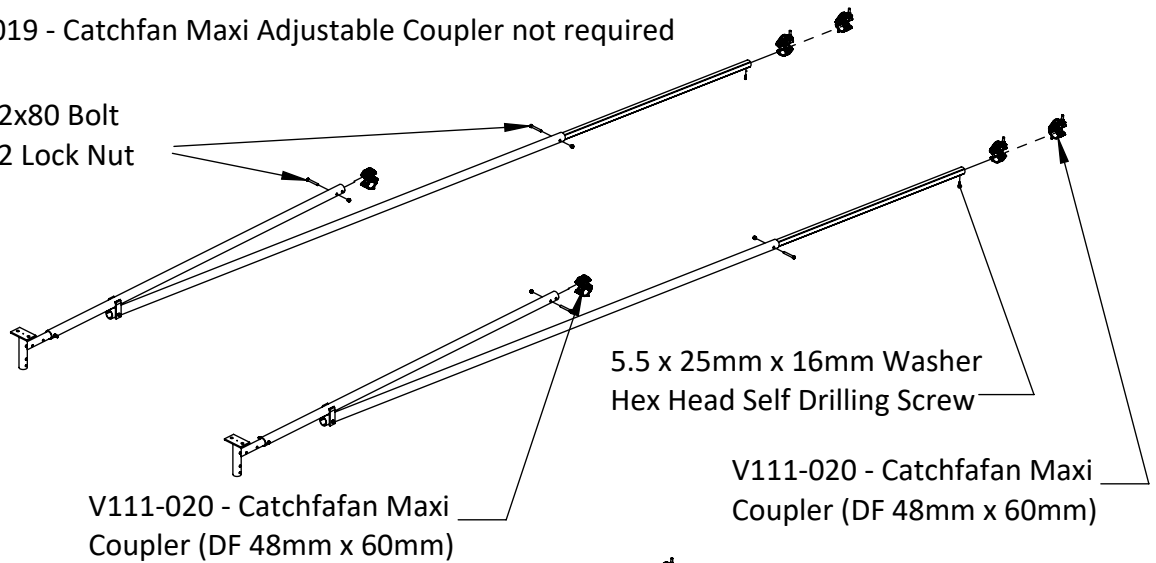


www.vertemax.com

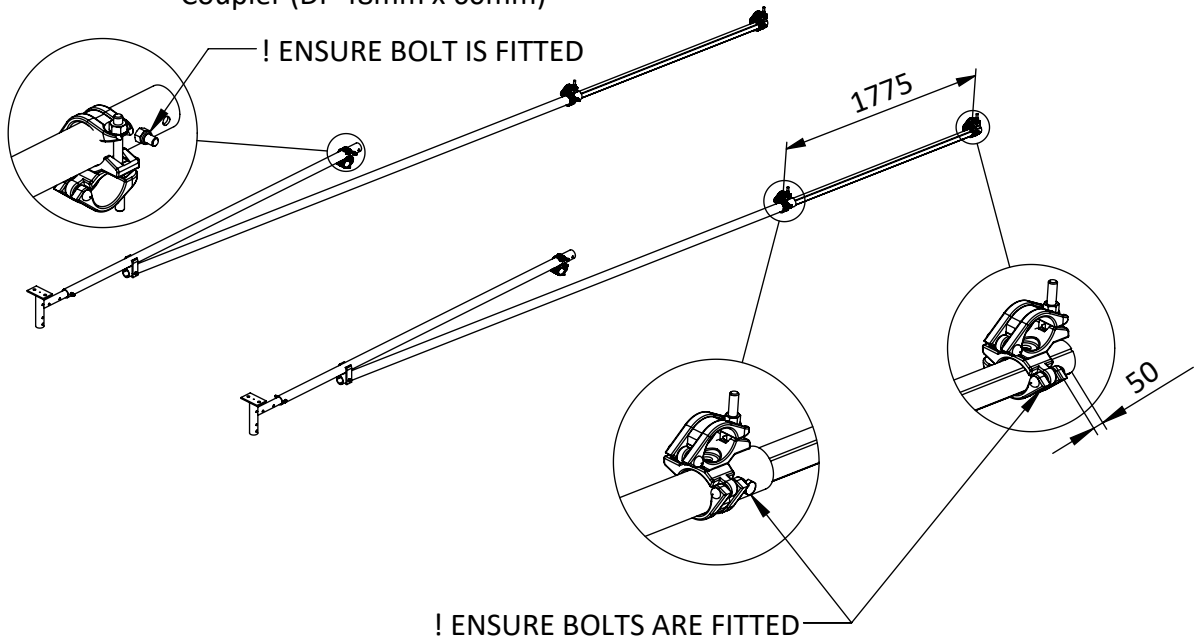
Alt. Beam Attachment

3.4 ! V111-019 - Catchfan Maxi Adjustable Coupler not required

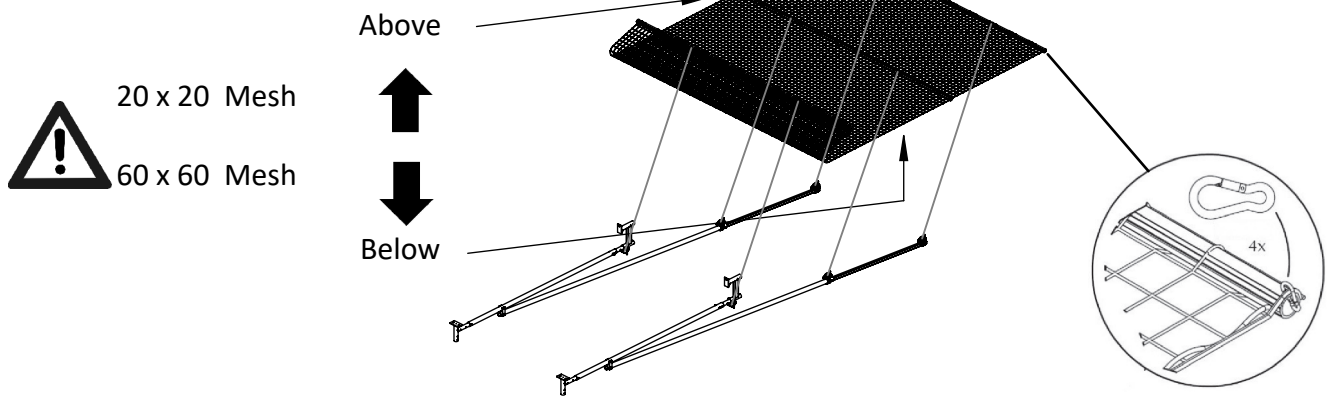
ISO 4014 M12x80 Bolt
ISO 7040 M12 Lock Nut



3.5

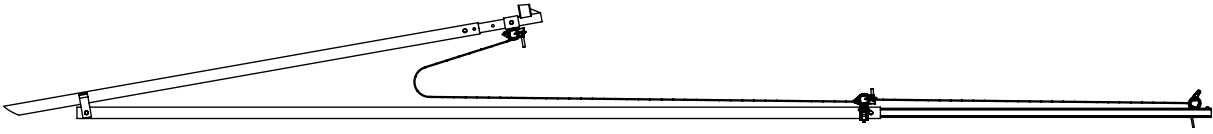


3.6



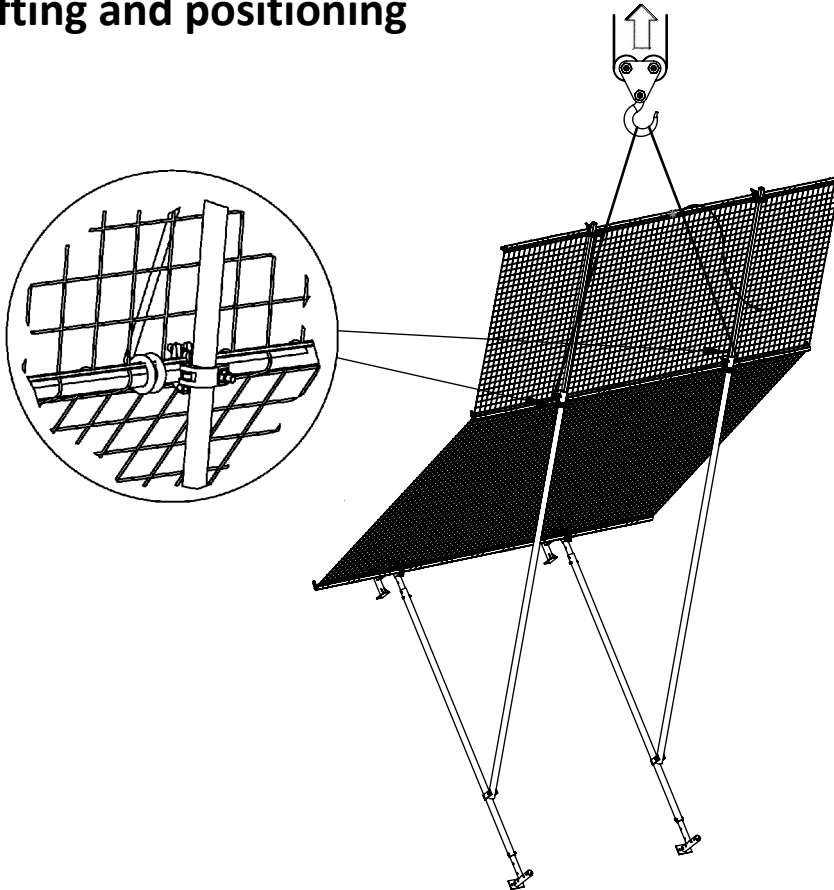
www.vertemax.com

3.6



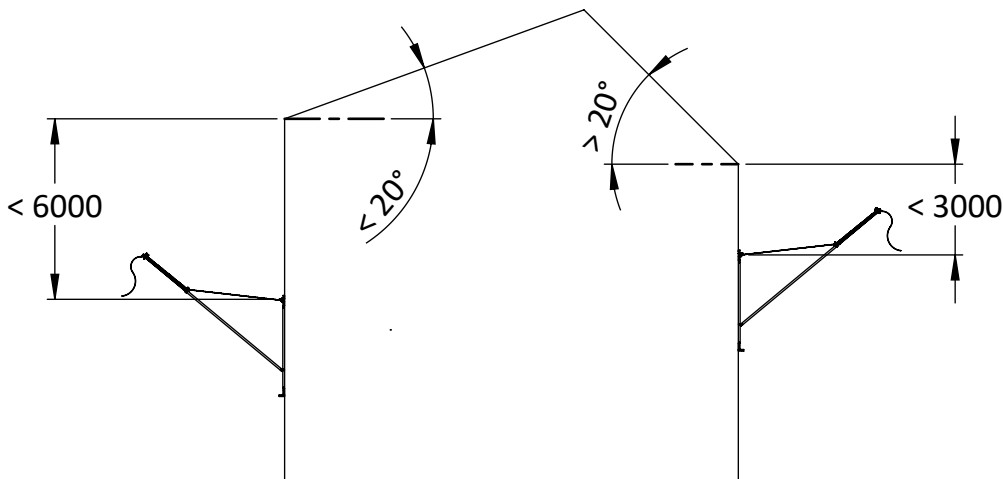
4. Lifting and positioning

4.1



4.2

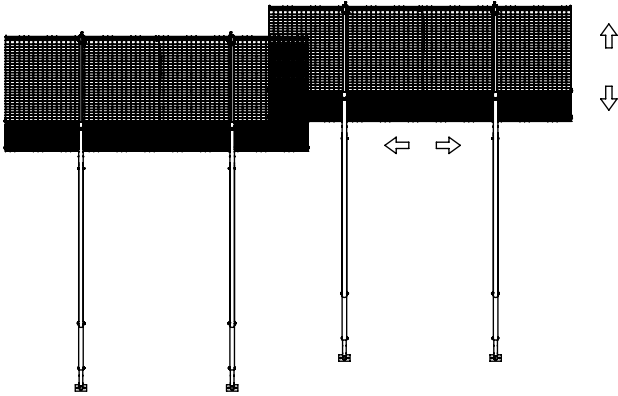
Positioning limits
EN 1263-2



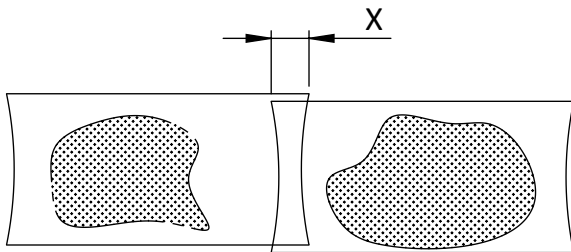
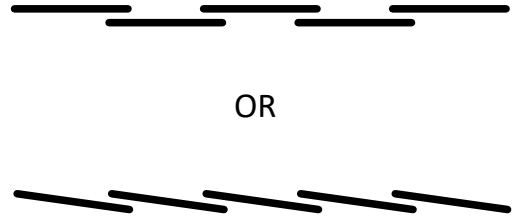
www.vertemax.com

4.3

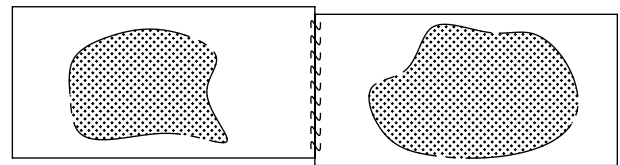
Close gaps



Positioning options



OR

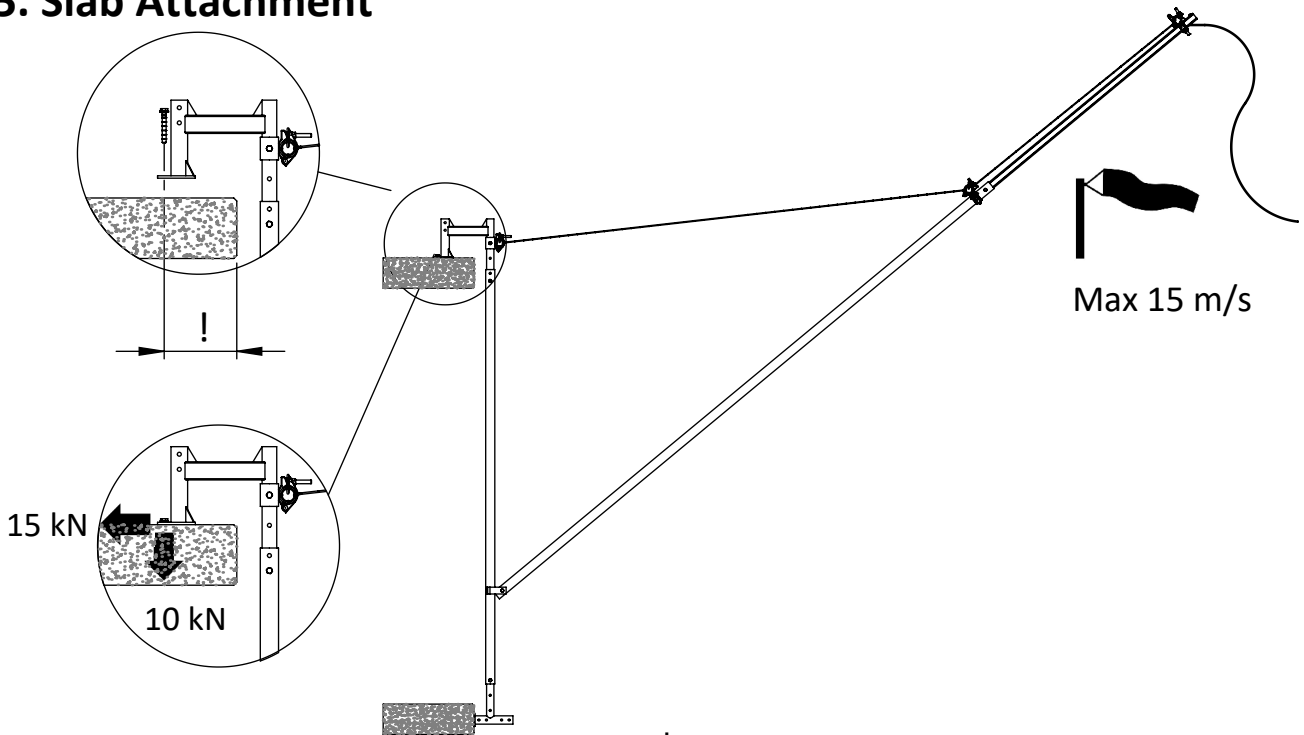


Overlap

- Material/debris catching, $X \geq 500\text{mm}$
- Fall arrest (EN 1263-2), $X \geq 750\text{mm}$

Join by lacing

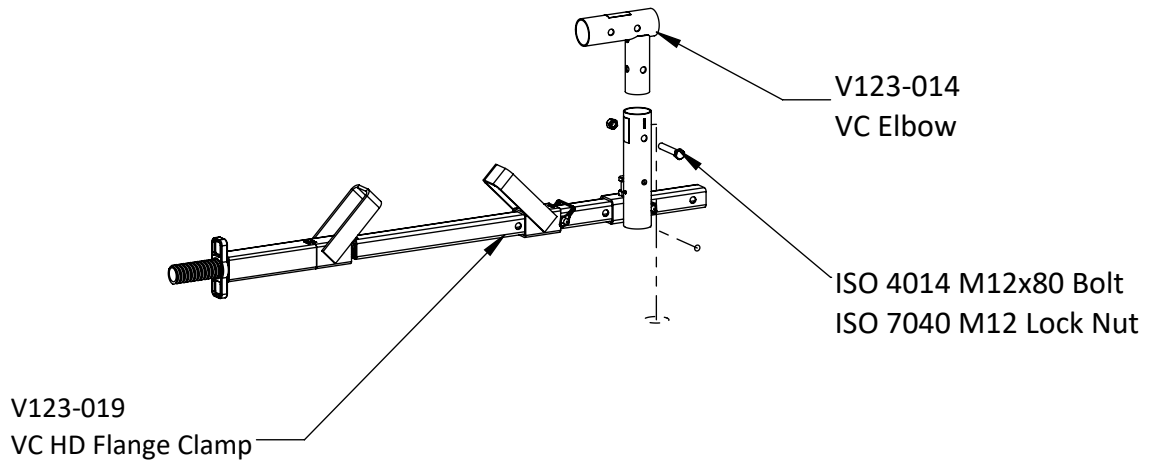
5. Slab Attachment



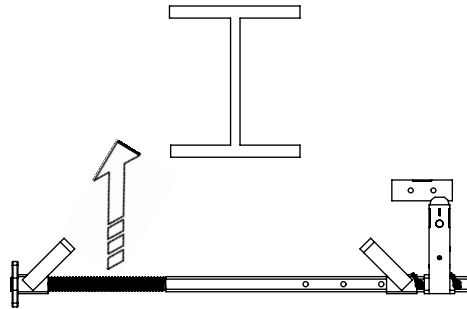
Max 15 m/s

www.vertemax.com

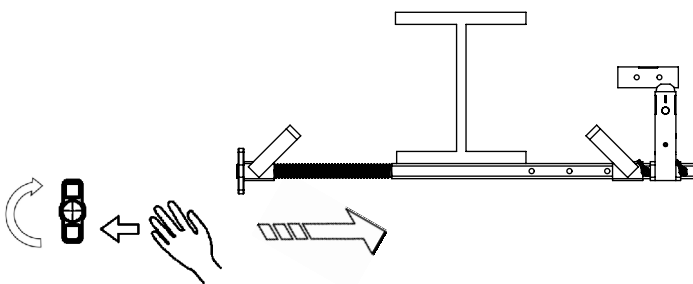
6. Beam Attachment



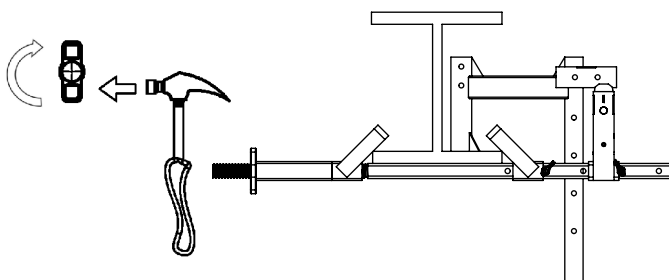
6.1



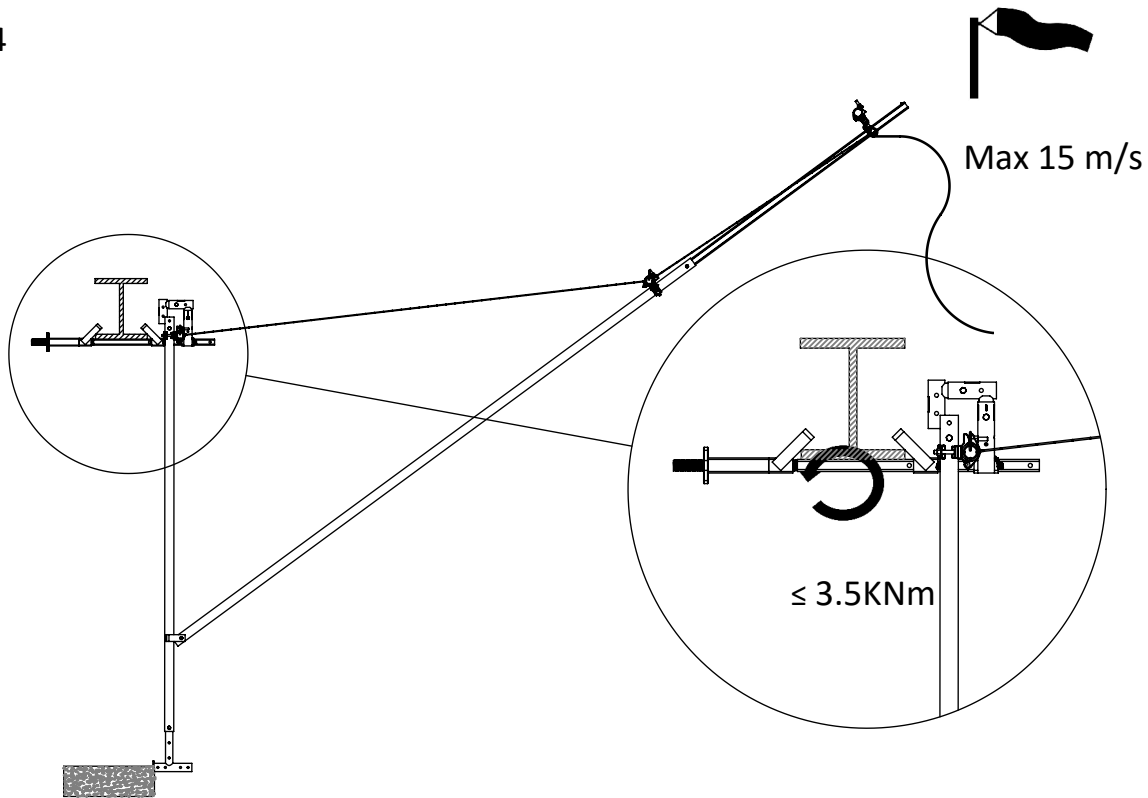
6.2



6.3



6.4



7. Handling, Transport and Storage



**AVOID SPARKS FROM
CUTTING & WELDING**

www.vertemax.com

Stillage/Pallet:

- Net and Inner/Outer Tubes pre assembled (c/w carabiners)
- Body and bracing tubes pre-assembled
- Extension Legs
- Attachments, bolts and couplers (bagged)



8. Removing from service

DO NOT use catchfan after it has been subject to a load falling into it.
DO NOT use catchfan if the net has not be tested in the past 12 months.
DO NOT use catchfan if the metal framework is deformed, damaged or worn.
DO NOT use catchfan if fixings, bolts or couplers are deformed, damaged or worn.

Remove the net from service 12 months after the last test strand has been tested.
Nets removed from service should be destroyed/recycled.

Haki offers a net test strand testing service - please ask for details.

General Qualifications



These General Qualifications are applicable to all vertemax products and must always be read in conjunction with each products Technical Documentation (TD).










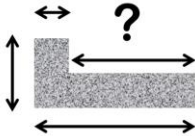
General



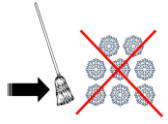

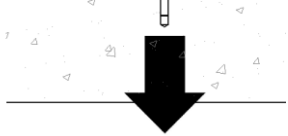



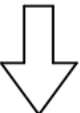

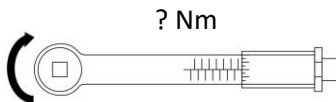
- Always check general product condition before use
- If in doubt always ask by contacting a representative of vertemax
- Reject any damaged or rusty components
- vertemax products and systems provide temporary protection during construction activity.
- vertemax products are NOT tested or intended:
 - to withstand impact by any vehicle,
 - to support or provide control of the public,
 - for the containment of bulk materials.






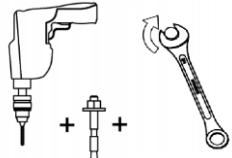


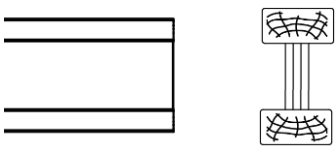
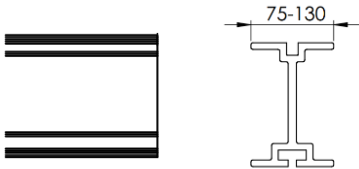
Always Plan your works

- Take note of location, proximity to permanent and temporary hazard structures.
- Take note of dimensions, layout and access areas.
- Always identify both the fall hazard for the installer and the falling materials hazard for persons and property below.
- These identified hazards should also be considered on dismantling.
- vertemax strongly recommends seeking competent Work at Height advice if in any doubt about the installer's or other's safety.
- Note the component weight as given on the TD sheets and ensure suitable handling equipment is available.
- Ensure local site Risk Assessment / Method Statement detail is observed and followed.

<p>Fixing selection</p> <ul style="list-style-type: none"> • All fixings should be confirmed as suitable for the chosen application site. • Material type and thickness, edge proximity, depth of embedment, and proximity to other fixings, all impact the strength of a fixing. Please refer to manufacturer's instructions for fixing guidance and limitation. • The dimensions for installation and the load capacity should be confirmed by the fixing manufacturer for each application. • Competent fixings advice should be sought if in any doubt.
<p>Fine mesh containment</p> <ul style="list-style-type: none"> • Note that the addition of any fine containment mesh (such as on barriers or safety nets) increases the wind load attracted to the supports. • Technical advice must be sought before any such addition.
<p>Weather</p> <ul style="list-style-type: none"> • vertemax products and systems can be adversely impacted by significant wind speeds. Please note limitations on product TD and take any recommended remedial action. If in doubt, contact a vertemax representative. • If in doubt, cease work, and use additional protection measures as required. • All safety systems should be kept clear of ice and snow.
<p>Inspection</p> <ul style="list-style-type: none"> • All installed systems should be checked at least once every 7 days by a competent person, to ensure its continued integrity and that there are no signs of any potential failing. • We recommend that these checks are recorded in a site log. • Please ensure any defective product identified during inspection is replaced immediately.
<p>Loading</p> <ul style="list-style-type: none"> • Any vertemax products subjected to loading, or used in anger, should be assessed to ensure it continues to provide the necessary protection. If this involves removing from service you must ensure the area is otherwise protected. • The system should then be fully inspected, any components replaced as necessary, and the installation confirmed as fit for continued use by a competent person.
<p>Storage</p> <ul style="list-style-type: none"> • vertemax recommends the use of its own storage and transit solutions. • Take careful note of lifting and loading limits. • All components should be stored in a manner that limits any detrimental environmental effect due to weather or corrosive substances.
<p>Traceability</p> <ul style="list-style-type: none"> • All vertemax products are traceable.

Key		
	Symbol	Meaning
1.		Tech Data
2.		If in doubt, check online @ www.vertemax.com
3.		If in doubt call vertemax Ltd on +44 (0)1227 711072
4		Always Check/ Always confirm
5		Fall Hazard
6		Do this
7		Don't do this
8		Be Aware
9		Recycle damaged materials
10		Recommended Distance

11		Secure yourself against falling
12		Protect those below from falling equipment
13		Catch fan – Keep Clean from snow
14		Shear Load
15		Tensile Load
16		Moment Load
17		Max Wind Load
18		Check Weekly
19		Insert
20		Install
21		Torque Spanner and settings

22		Flat Head Screwdriver
23		Cross Head/Phillips Screwdriver
24		Tighten
25		Untighten
26		Tighten by hand
27		Drill and select appropriate anchor
28		Floor/General
29		Concrete slab/floor
30		Timber Beam
31		Alu Beam