

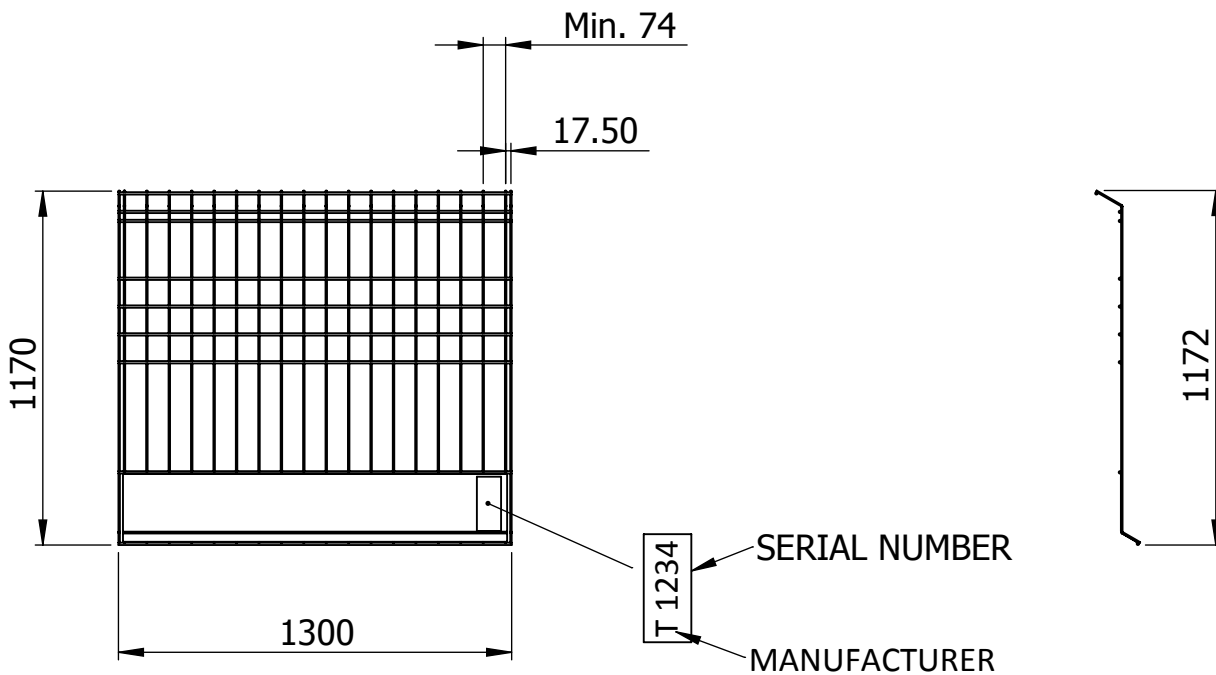
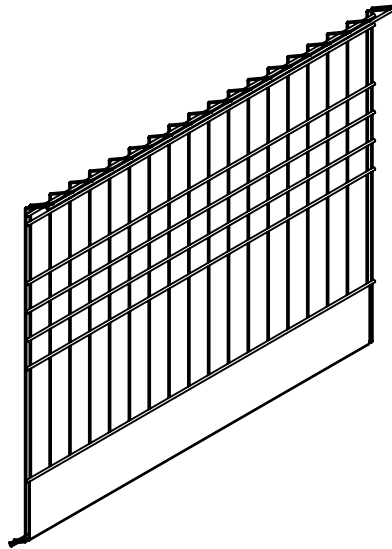
# TD 2021311MK5

Name: 1300 MK5 Half Barrier  
 Weight: 8.5 kg  
 Standard: EN 13374-A  
 Material: Steel - Powder Coated  
 Dimensions: mm



This Technical Document must always be used in conjunction with **vertemax's General Qualifications** -See below

1. Always plan your work and installation
2. Always select the right equipment
3. Always regularly inspect your system



[www.vertemax.com](http://www.vertemax.com)

# TD 2021311MK5

1. Select Attachment  
Select Post (1350, 1900)

