

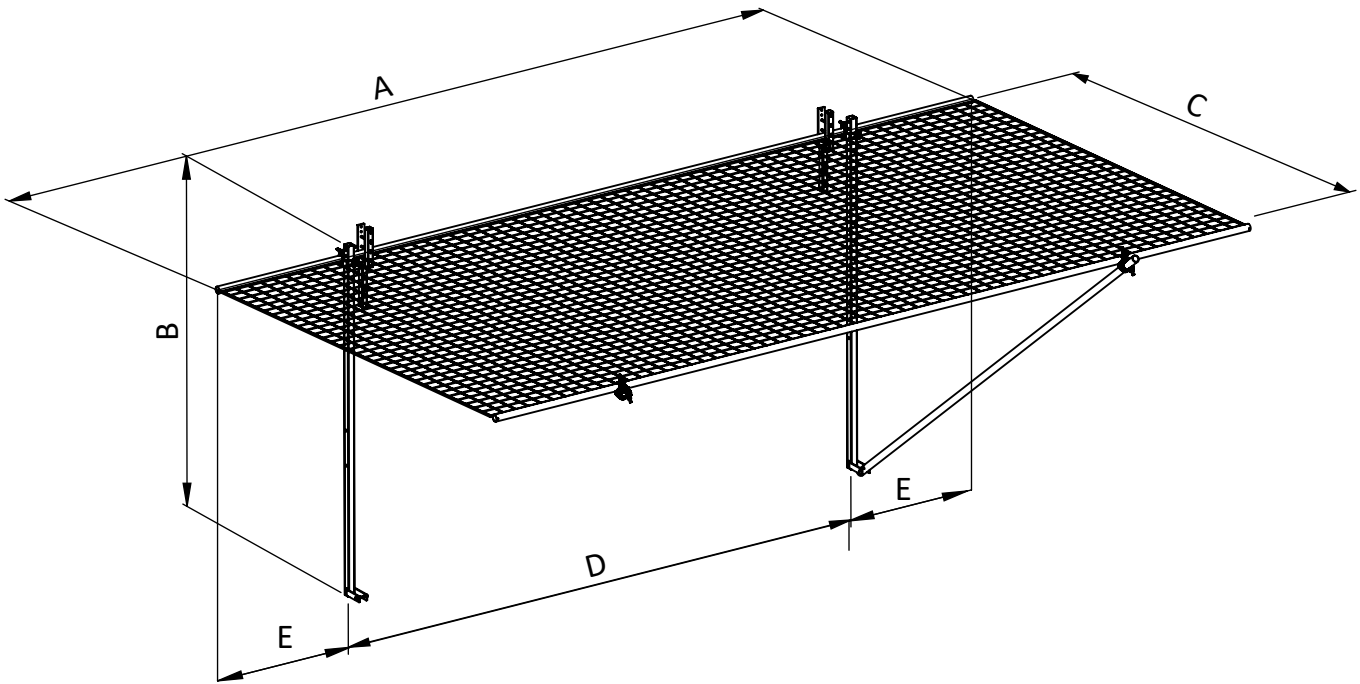
TD 505X000-CA

Name: Catchfan 4m/6m
 Weight: See table
 Standard: EN 1263-1; ANSI/ASSE; A10.37-2016 & OSHA 1926.502
 Material: Galvanised Steel/Aluminum
 Dimensions: imperial

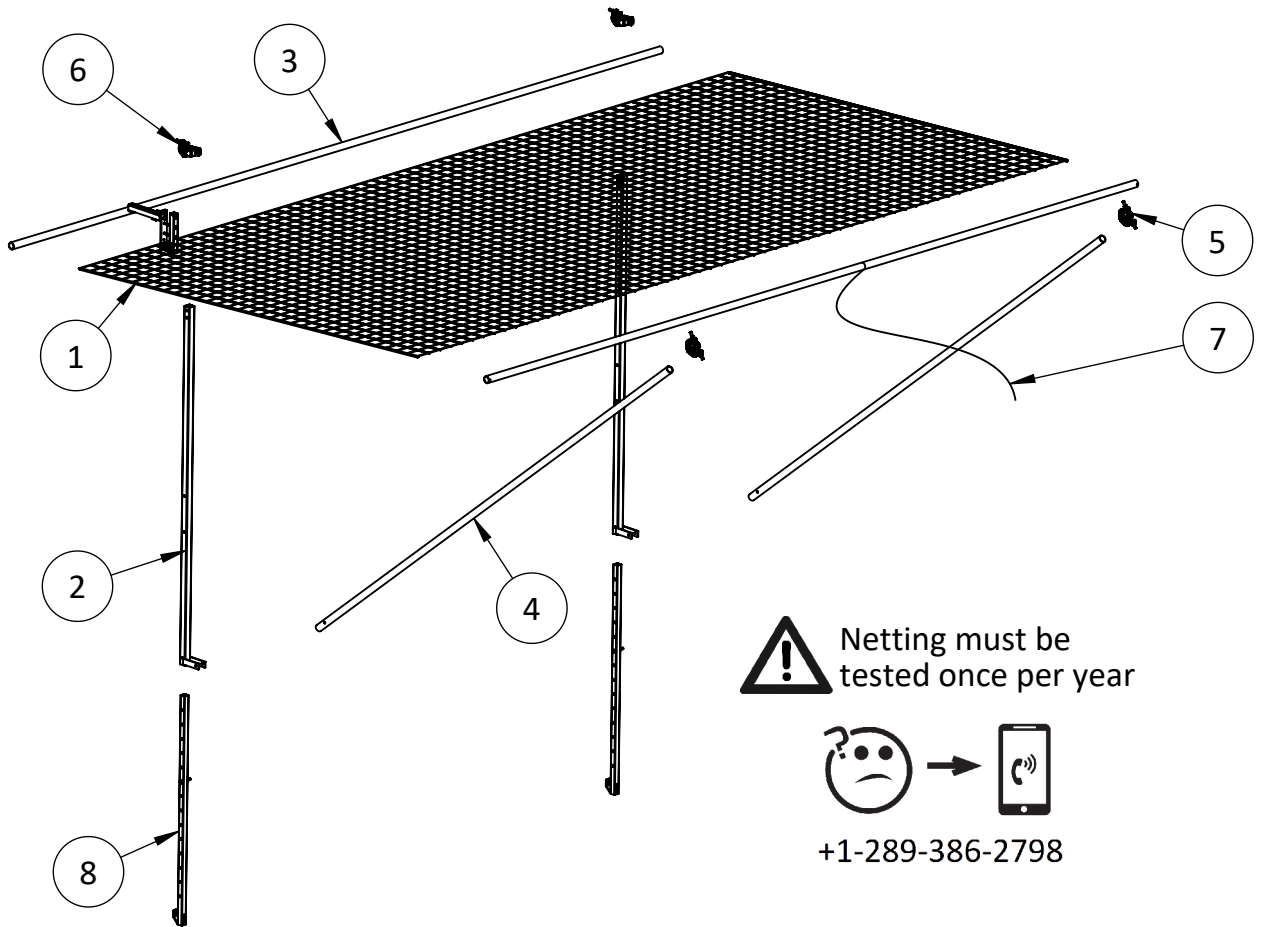


This Technical Document must always be used in conjunction with **vertemax's General Qualifications** -See below

1. Always plan your work and installation
2. Always select the right equipment
3. Always regularly inspect your system



Name	Art No.	A	B	C	D	E	Weight [lbs]
Catchfan 4m	5054000	13'-1 $\frac{1}{2}$ "	8'-2 $\frac{7}{16}$ "	10'-9 $\frac{15}{16}$ "	6'-6 $\frac{3}{4}$ " ± 1'-7 $\frac{11}{16}$ "	3'-3 $\frac{3}{8}$ " ± 9 $\frac{13}{16}$ "	165
Catchfan 6m	5056000	19'-8 $\frac{1}{4}$ "	8'-2 $\frac{7}{16}$ "	10'-9 $\frac{15}{16}$ "	13'-1 $\frac{1}{2}$ " ± 1'-7 $\frac{11}{16}$ "	3'-3 $\frac{3}{8}$ " ± 9 $\frac{13}{16}$ "	178



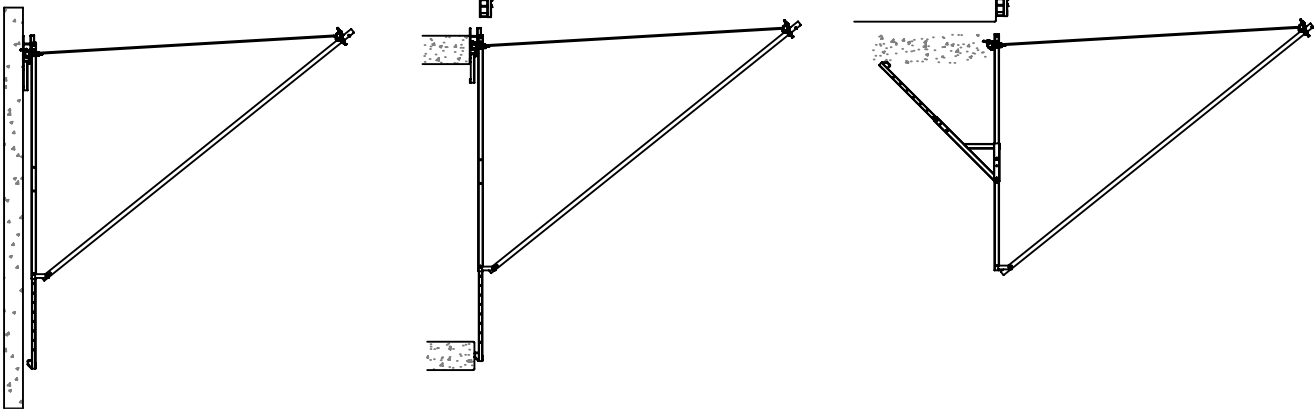
No.	Pcs.	Product	Weight (pcs.) [lbs]
1	1	Safety Net PP EN 1263-1 T (M60&M20)	26.5
2	2	8'-2 ⁷ / ₁₆ " Body Tube	50.2
3	2	13'-1 ¹ / ₂ " / 19'-8 ³ / ₄ " Aluminium Tube for Net	26.5/39.7
4	2	13'-9 ³ / ₈ " Aluminium Diagonal Tube	27.8
5	2	Coupler EN 74 RD-RD*	3.5
6	2	Coupler EN 74 SQ-RD*	3.5
7	1	16'-4 ⁷ / ₈ " pull in rope PP	0.45
8	2	Extension Legs	26.5



* Only drop forged couplers made to EN 74 Class B should be used.

All fittings to be routinely examined. Further examinations to be undertaken after each project and following any severe weather conditions to ensure all equipment is in good condition and working order.

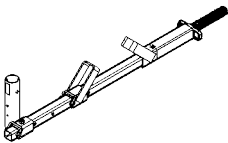
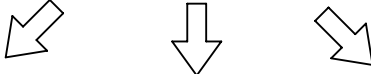
1. Configuration



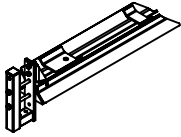
Select attachment



+1-289-386-2798



5043008



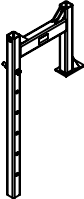
5051008



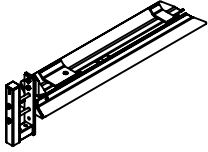
5050004



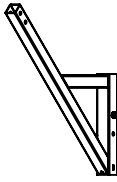
50540004



5051005



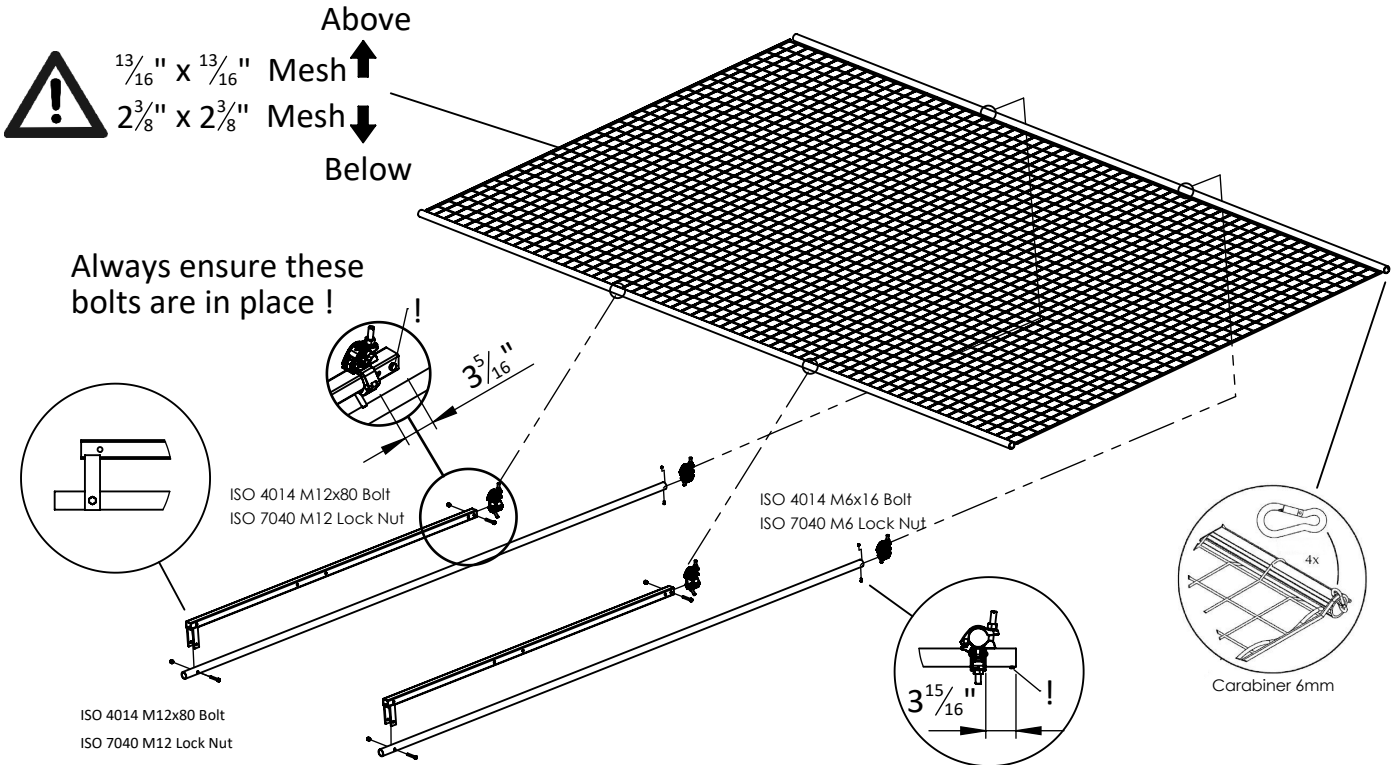
5051009



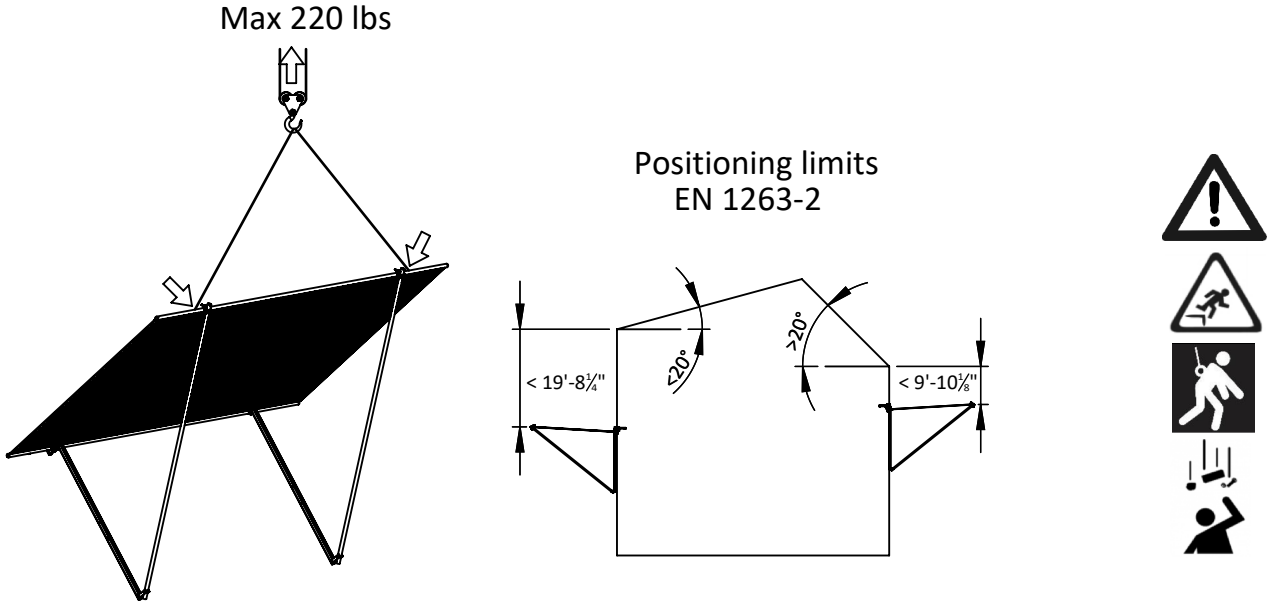
50500021

TD 505X000-CA

2. Assembly

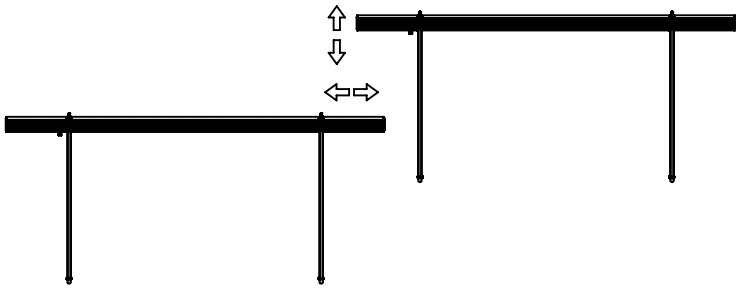


3. Lifting and positioning

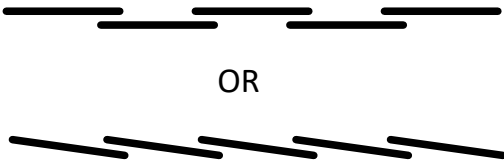


TD 505X000-CA

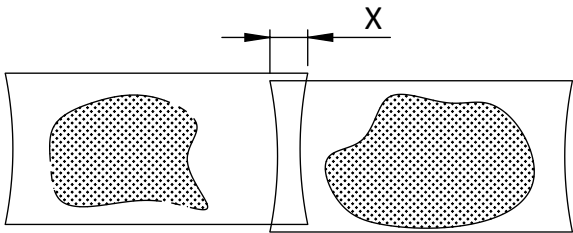
Close gaps



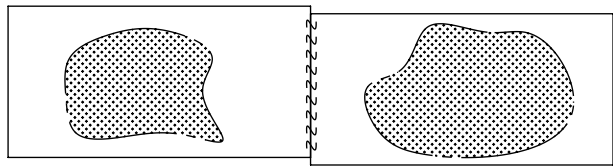
Positioning options



OR



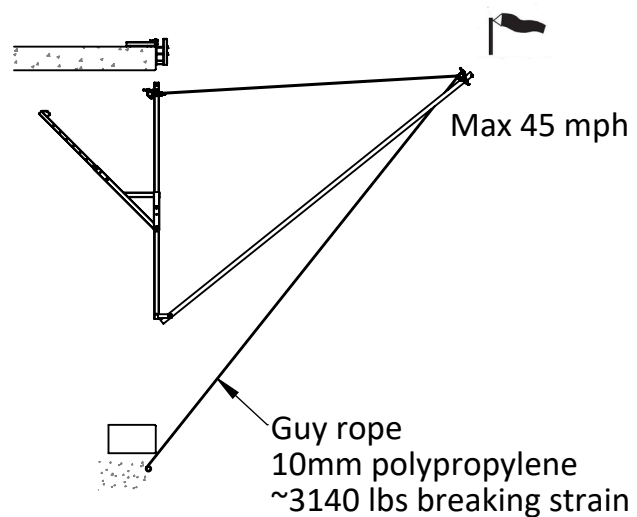
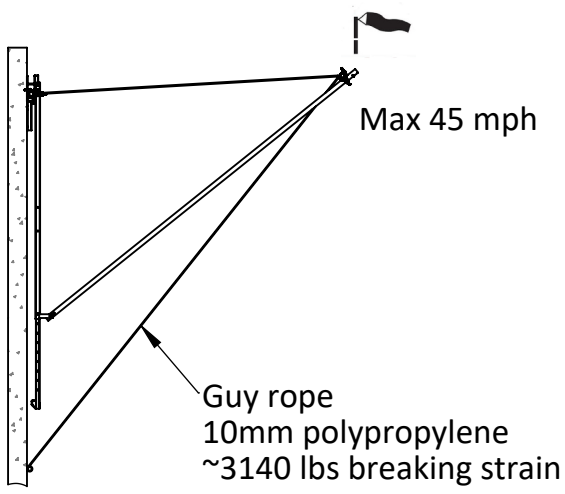
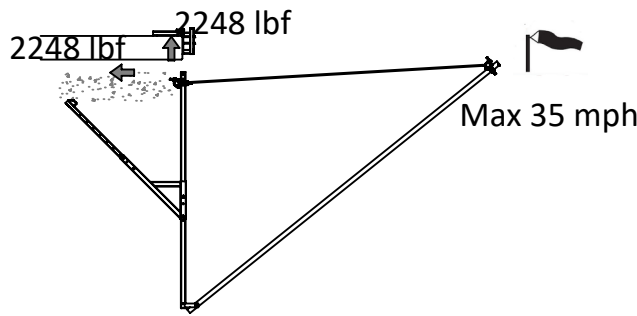
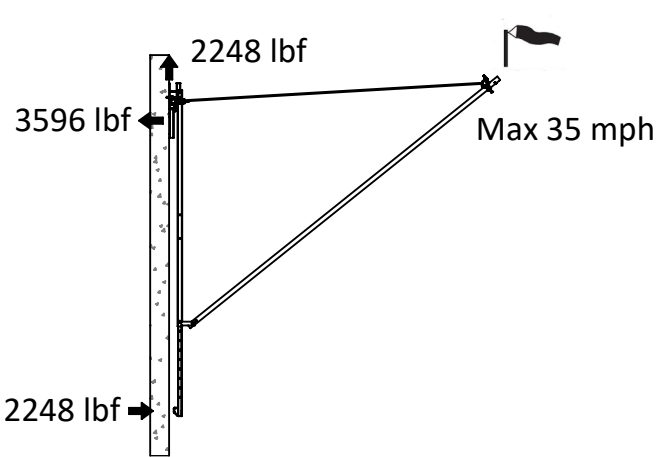
OR



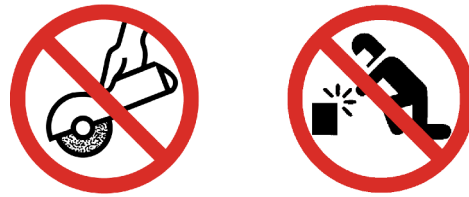
Overlap

Join by lacing

- Material/debris catching, $X \geq 1'-7\frac{1}{16}"$
- Fall arrest (EN 1263-2), $X \geq 2'-5\frac{1}{2}"$



7. Handling, Transport and Storage



**AVOID SPARKS FROM
CUTTING & WELDING**

Stillage (Box): Catchfan (Standard 10x)
-10x Safety Net with Banner and Pull in Rope
-20x Aluminium Tube for Net
-20x Catchfan Body + Bolt/Nut
-20x Aluminium Tube Diagonal + Bolt/Nut
-20x Coupler RD-RD
-20x Coupler SQ-RD



8. Removing from service

DO NOT use catchfan after it has been subject to a load falling into it.
DO NOT use catchfan if the net has not be tested in the past 12 months.
DO NOT use catchfan if the metal framework is deformed, damaged or worn.
DO NOT use catchfan if fixings, bolts or couplers are deformed, damaged or worn.

Remove the net from service 12 months after the last test strand has been tested.
Nets removed from service should be destroyed/recycled.

vertemax offers a net test strand testing service - please ask for details.

General Qualifications



These General Qualifications are applicable to all vertemax products and must always be read in conjunction with each products Technical Documentation (TD).







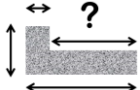

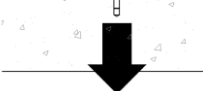




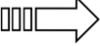

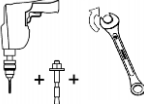
General

- Always check general product condition before use
- If in doubt always ask by contacting a representative of vertemax
- Reject any damaged or rusty components
- vertemax products and systems provide temporary protection during construction activity.
- vertemax products are NOT tested or intended:
 - to withstand impact by any vehicle,
 - to support or provide control of the public,
 - for the containment of bulk materials.

Always plan your works

- Take note of location, proximity to permanent and temporary hazard structures.
- Take note of dimensions, layout and access areas.
- Always identify both the fall hazard for the installer and the falling materials hazard for persons and property below.
- These identified hazards should also be considered on dismantling.
- vertemax strongly recommends seeking competent Work at Height advice if in any doubt about the installer's or other's safety.
- Note the component weight as given on the TD sheets and ensure suitable handling equipment is available.
- Ensure local site Risk Assessment / Method Statement detail is observed and followed.

Fixing selection
<ul style="list-style-type: none"> • All fixings should be confirmed as suitable for the chosen application site. • Material type and thickness, edge proximity, depth of embedment, and proximity to other fixings, all impact the strength of a fixing. Please refer to manufacturer's instructions for fixing guidance and limitation. • The dimensions for installation and the load capacity should be confirmed by the fixing manufacturer for each application. • Competent fixings advice should be sought if in any doubt.
Fine mesh containment
<ul style="list-style-type: none"> • Note that the addition of any fine containment mesh (such as on barriers or safety nets) increases the wind load attracted to the supports. • Technical advice must be sought before any such addition.
Weather
<ul style="list-style-type: none"> • vertemax products and systems can be adversely impacted by significant wind speeds. Please note limitations on product TD and take any recommended remedial action. If in doubt, contact a vertemax representative. • If in doubt, cease work, and use additional protection measures as required. • All safety systems should be kept clear of ice and snow.
Inspection
<ul style="list-style-type: none"> • All installed systems should be checked at least once every 7 days by a competent person, to ensure its continued integrity and that there are no signs of any potential failing. • We recommend that these checks are recorded in a site log. • Please ensure any defective product identified during inspection is replaced immediately.
Loading
<ul style="list-style-type: none"> • Any vertemax products subjected to loading, or used in anger, should be assessed to ensure it continues to provide the necessary protection. If this involves removing from service you must ensure the area is otherwise protected. • The system should then be fully inspected, any components replaced as necessary, and the installation confirmed as fit for continued use by a competent person.
Storage
<ul style="list-style-type: none"> • vertemax recommends the use of its own storage and transit solutions. • Take careful note of lifting and loading limits. • All components should be stored in a manner that limits any detrimental environmental effect due to weather or corrosive substances.
Traceability
<ul style="list-style-type: none"> • All vertemax products are traceable.

Key		
	Symbol	Meaning
1.		Tech Data
2.		Always check / Always confirm
3.		Fall Hazard
4.		Do this
5.		Don't do this
6.		Be Aware
7.		Recommended Distance
8.		Shear Load
9.		Tensile Load
10.		Moment Load
11.		Insert
12.		Concrete slab/floor
13.		Movement / Rotation
14.		Movement
15.		Tighten
16.		Drill and Select appropriate anchor